



# Easter Egg Chime

90 or 96 COE

Celebrate Easter with egg-ceptional art. This creative chime can be decorated with custom eggs, then updated for any season with new chimes!



Original design by Artist Julie Haan.

## Materials:

90 COE		96 COE	
1 Md. #B020330	Woodland Brown Opal	1 Lg. #X21174	Chestnut Brown Opal
1 Sm. #B012630	Spring Green Opal	1 Md. #X22674	Amazon Green Opal
1 Sm. #B042130	Petal Pink Opal	1 Md. #X24074	Lilac Opal
1 Sm. #B022030	Sunflower Yellow Opal	1 Md. #X60355	Marigold Opal
2 Md. #B110150	Clear Thin	2 Md. #X1002M	Clear Thin

#450417 Hi Temp Wire

Chain

Hanging Line

Additional Supplies (for decorating eggs):  
 Pre-Cut Dichroic Squares or Dichroic Scrap  
 Millefiori  
 Stringers



3380 E. Jolly Rd.  
 Lansing, MI 48910  
[www.DelphiGlass.com](http://www.DelphiGlass.com)  
 800.248.2048



## Instructions:

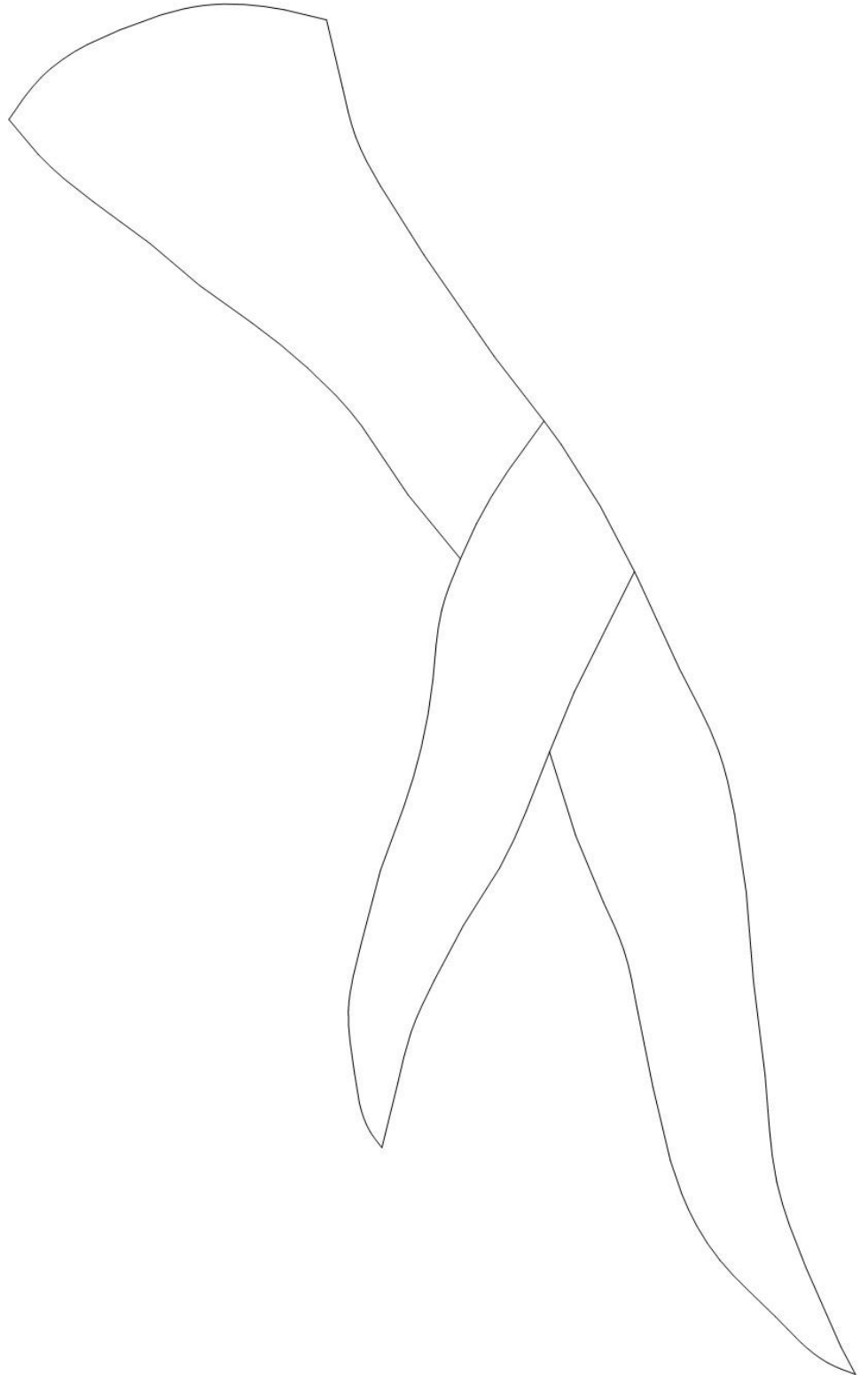
1. Print pattern and join branch section A and B below. Cut branches from brown glass, and a matching layer from thin clear (using the template to alter the cut lines as shown below).
2. Cut leaves from green glass, and a matching layer from thin clear.
3. Cut eggs from yellow and pink/purple glass, and a matching layer from thin clear for each.
4. Cut and form lengths of hi-temp wire into jump rings for the top of the branch and decorative loops for the top of eggs and bottom edge of the branch.
5. On a prepared kiln shelf, carefully stack layers for each piece with hi-temp hangers positioned between glass and fire to a full fuse.
6. Once completely cool, clean all fired pieces.
7. On a prepared kiln shelf, position leaves on branch allowing plenty of overlap (for strength). Tip: Cut scraps of thin clear to position under branches and leaves to reinforce the tack fused leaves (see image at right).
8. Place fired eggs on the prepared kiln shelf and add millefiori, dichroic, stringers or other decorative elements. Fire to a tack or medium fuse as desired.
9. Hang fused eggs from the branch, add chain to the jump rings at the top of the branch and enjoy!



3380 E. Jolly Rd.  
Lansing, MI 48910  
www.DelphiGlass.com  
800.248.2048



Use this template to alter the branch pattern to create the clear layer for branches. Note the adjusted cut lines which will prevent a weak joint in fused glass layers.



**DELPHI**  
Be Creative!

3380 E. Jolly Rd.  
Lansing, MI 48910  
[www.DelphiGlass.com](http://www.DelphiGlass.com)  
800.248.2048

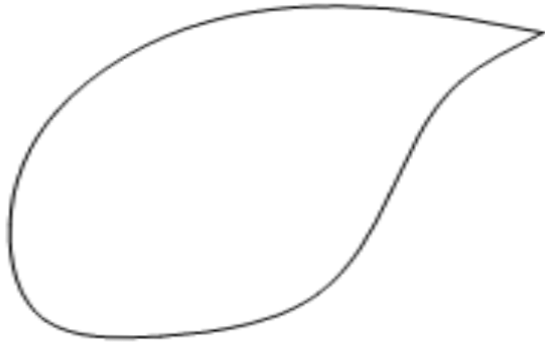
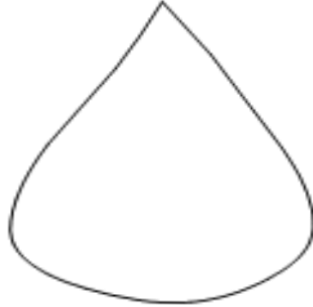


**DELPHI**  
Be Creative!

## Easter Egg Wind Chime Pattern

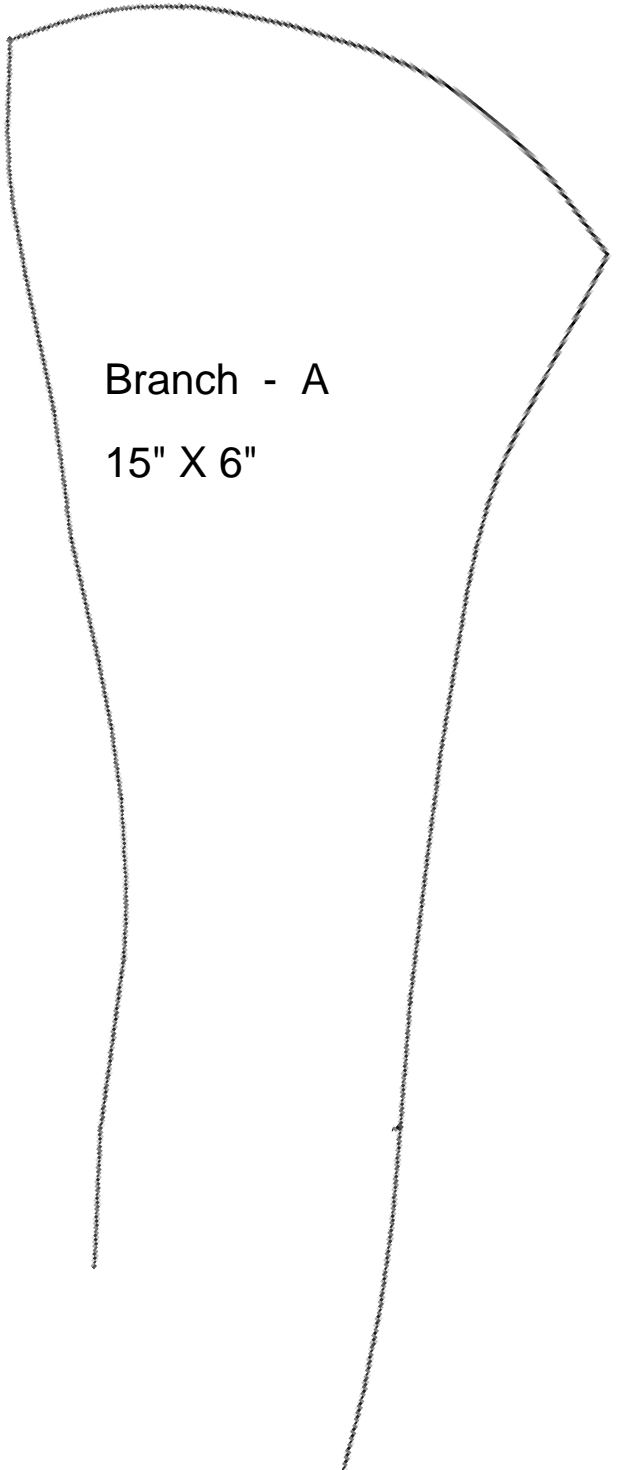
Leaves 1-1/2" X 3"

1-1/2" X 1-1/2"

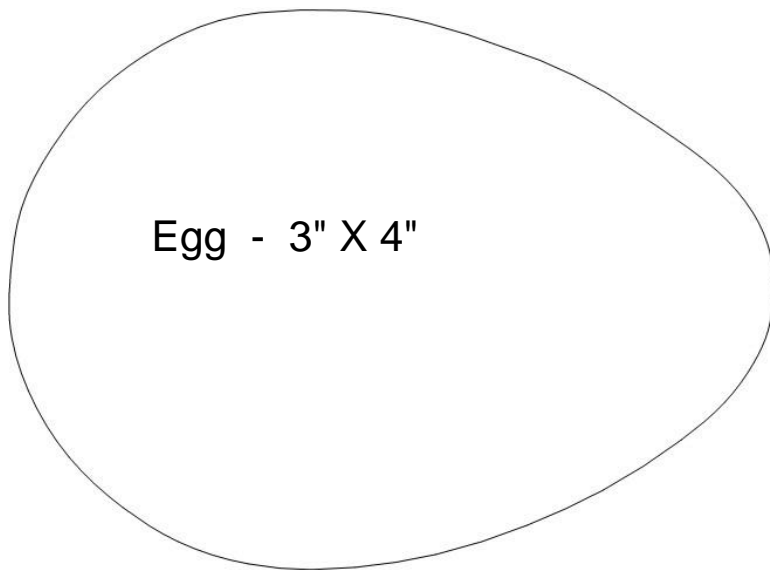


Branch - A

15" X 6"



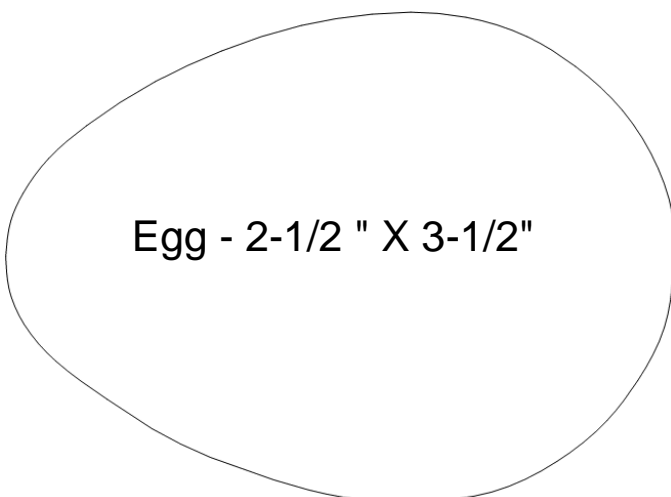
Egg - 3" X 4"





**DELPHI**  
Be Creative!

Branch - B



Egg - 2-1/2 " X 3-1/2"