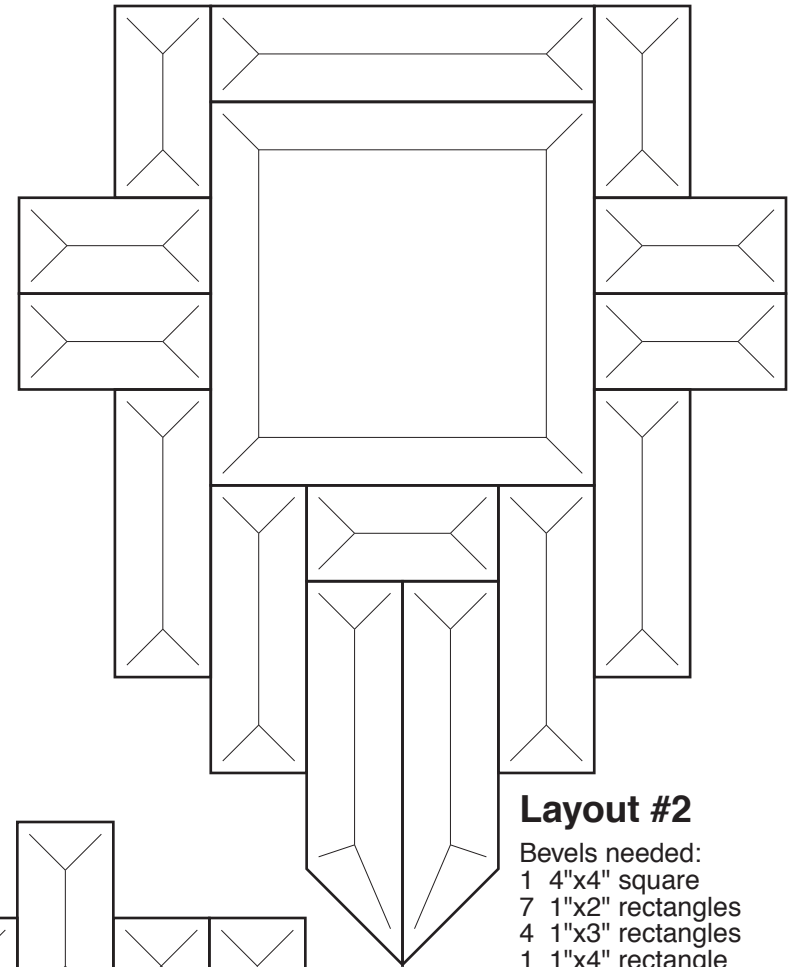
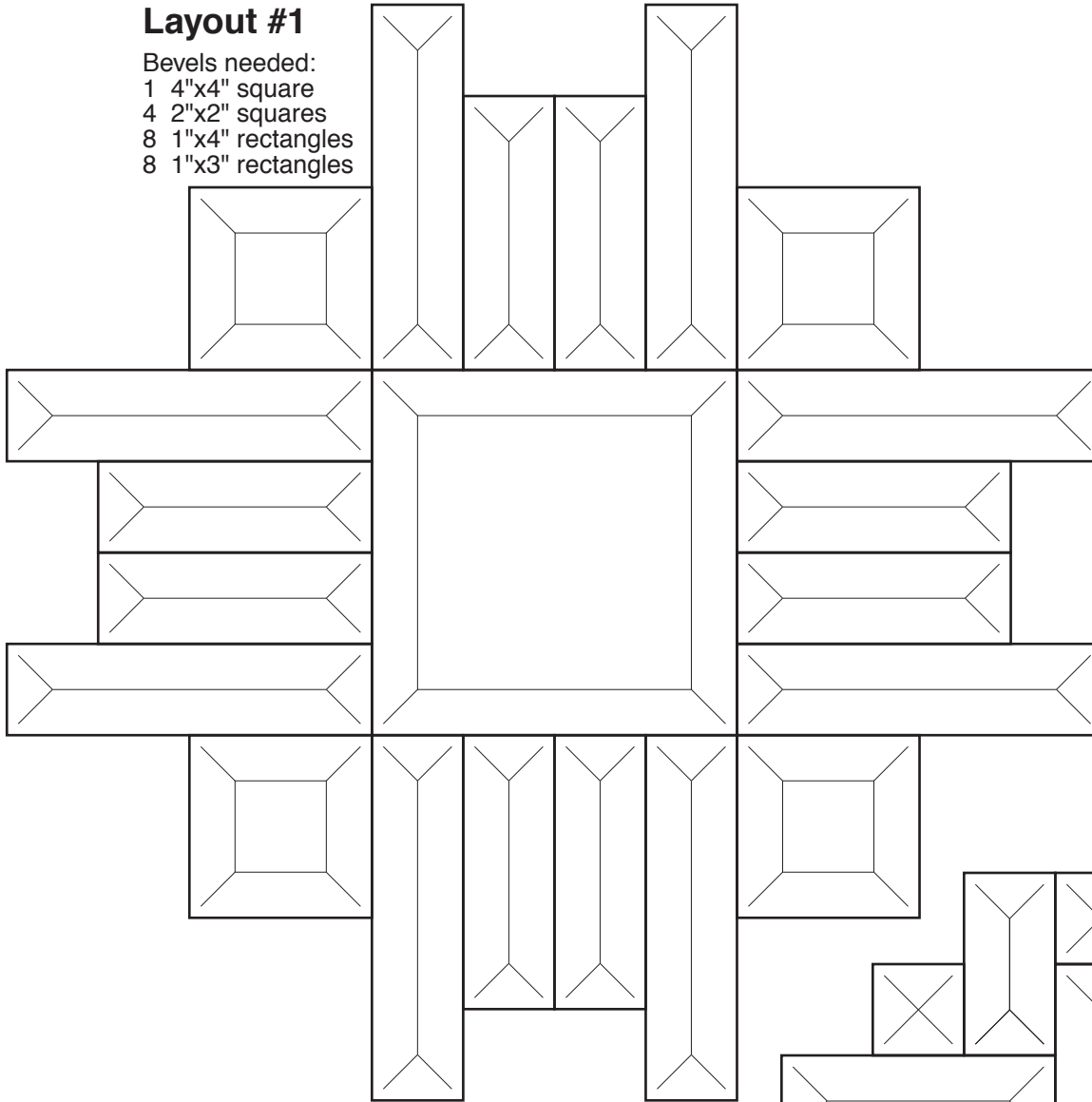


Layout #1

Bevels needed:

- 1 4"x4" square
- 4 2"x2" squares
- 8 1"x4" rectangles
- 8 1"x3" rectangles



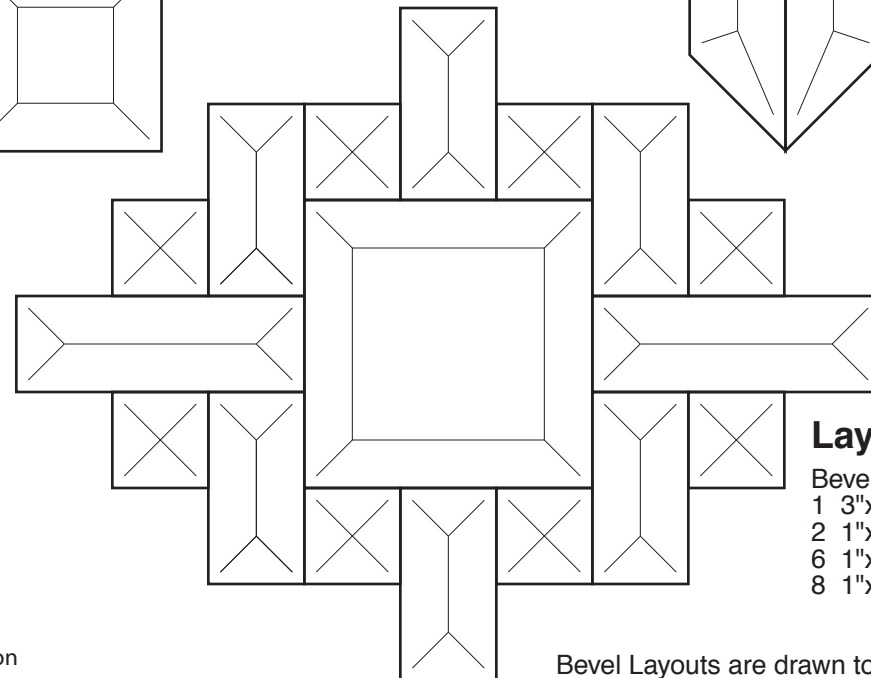
Layout #2

- Bevels needed:
- 1 4"x4" square
 - 7 1"x2" rectangles
 - 4 1"x3" rectangles
 - 1 1"x4" rectangle
 - 1 1"x4" mitred corner pair

Stained Glass News

Project Patterns Issue #29

Want to see more from Stained Glass News?
Check out www.StainedGlassNews.com/Subscription



Layout #3

- Bevels needed:
- 1 3"x3" square
 - 2 1"x3" rectangles
 - 6 1"x2" rectangles
 - 8 1"x1" rectangles

Bevel Layouts are drawn to scale at 50% actual size